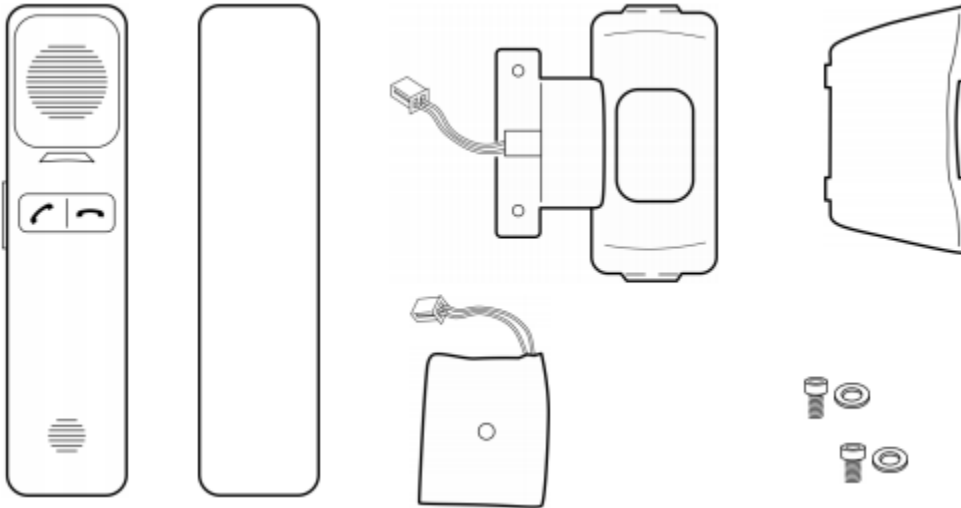
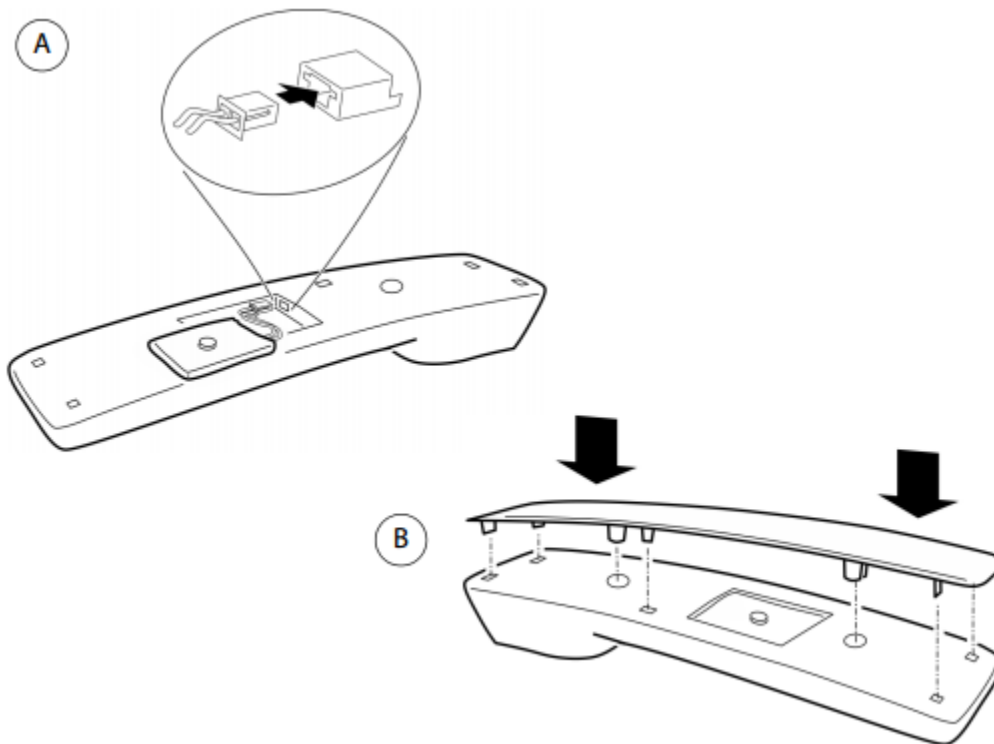


Maxwell 10 DECT handset installation

UnPacking the Handset



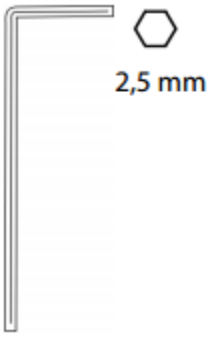
Assembling the DECT Handset



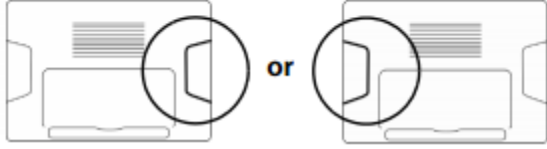
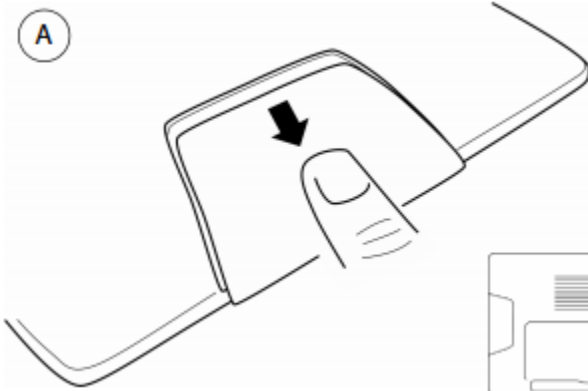
Mounting the Cradle

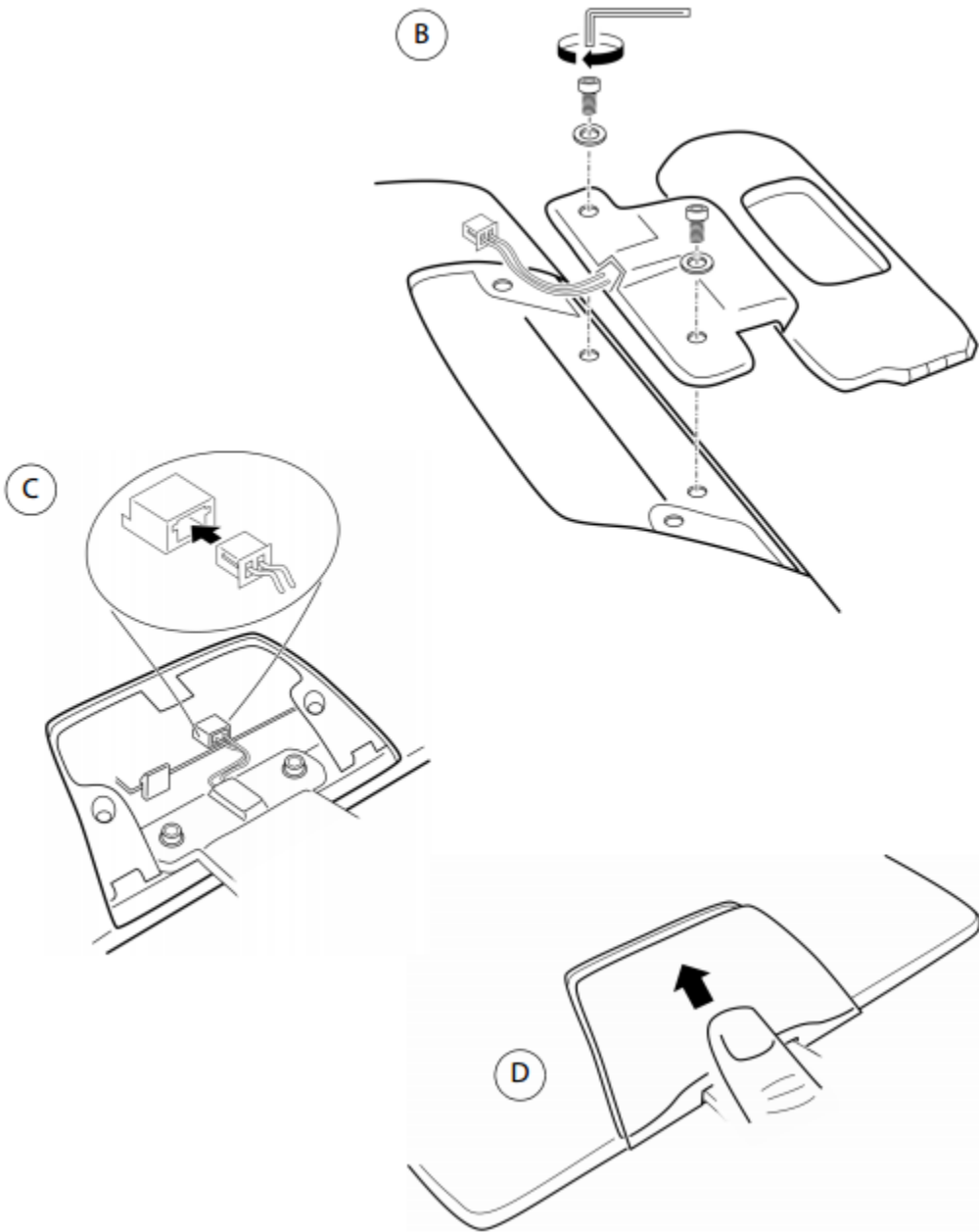
The handset can be installed at the left side or the right side of the device. A

The cradle is attached to the device with the 2 delivered screws and the following tool is needed.



A





- UnPacking the Handset
- Assembling the DECT Handset
- Mounting the Cradle